

CAST-IN FIRE RATED FLOOR WASTE KITS

Allproof cast-in floor waste collar kits provide a fully fire rated solution for floor waste penetrations.

KIT INCLUDES:

- Cast In fire Collar (High or Low)
- Fire Rated Floor Waste System

INSTALLATION INSTRUCTIONS:

1. Fix to formwork in correct location.
2. Pour concrete floor.
3. Remove formwork.
4. Cut plastic collar to desired height.
5. Install pipework and fire rated floor waste kit.
6. Allproof recommends any thermal or acoustic lagging maintains a 50mm separation to the fire collar.



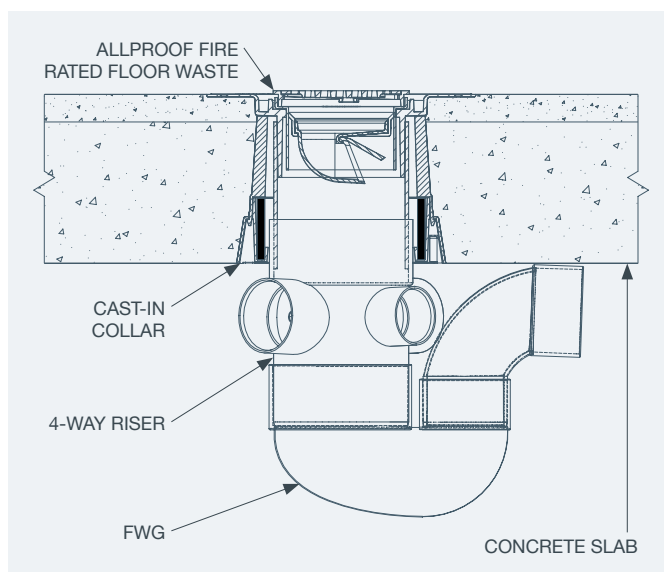
SUITABLE FOR FITTING WITHIN:

- Solid masonry floors

FEATURES:

- Sturdy construction for casting in
- Multiple fixing positions
- Unique fire rated floor waste system

CIFC FLOOR WASTE KIT INSTALLATION DETAILS:



CIFCL FLOOR WASTE KIT INSTALLATION DETAILS:

